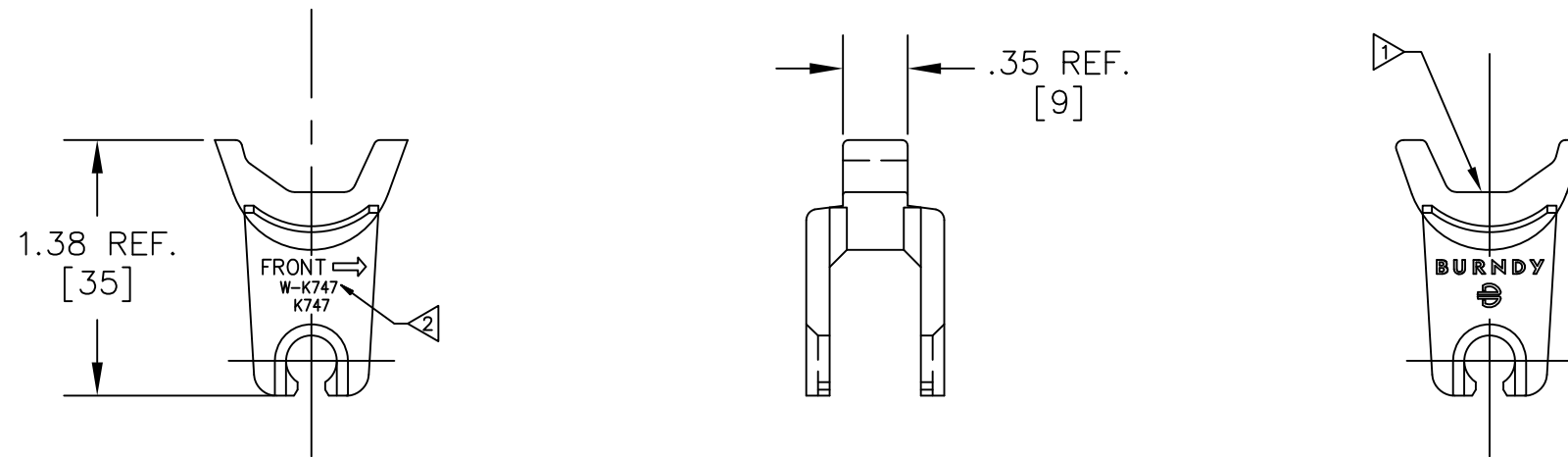


REV.	DATE	DESCRIPTION	ECO	BY	C'K'D.
B	01/28/14	ADD NOTE 5 TO DRAWING PER M/U.	34286	RB	LB



NOTES:

- 1 BRAND NAME LOGO ENGRAVED ON CRIMP GROOVE.
- 2 ENGRAVED LETTERING ON SIDE OF DIE.
- 3. DIES ARE FABRICATED FROM STAINLESS STEEL.
- 4. DIMENSIONS IN BRACKETS ARE IN MILLIMETERS, ROUNDED OFF TO THE NEAREST MILLIMETER, UNLESS OTHERWISE NOTED, AND ARE FOR REFERENCE ONLY.
- 5. DIE GAGE CAT. NO. WPGK747.

<p>TO ORDER BURNDY® PRODUCTS CALL</p> <p>UNITED STATES: 1-800-346-4175 (LONDONDERRY, NH)</p> <p>CANADA: 1-800-361-6975 (QUEBEC) 1-800-387-6487 (ALL OTHER PROVINCES)</p> <p>FOR PRODUCT INFO: http://www.burndy.com</p>		W-DIE	
		ITEM NO: 464144	
		CAT NO: WK747	
		SCALE: 1:1	
		DRAWN BY: P. LAPONIUS 02/08/07	
		CHECKER: J. AYER 02/08/07	
		DSN APPVL: J. AYER 02/09/07	
		MFG APPVL: ---	
		QC APPVL: ---	
		MKT APPVL: ---	DRAWING NO
		PROD FAM: ---	10076542
		PROJECT #: ---	SIZE
		DOCUMENT TYPE: ---	B
		REL LEVEL: ---	SHEET 1 OF 1
			REV
			B